

			kvizovka	masyu	4 pent	link	total
1	Tomoaki Tokunaga	JPN	12	25	20	20	<b>77</b>
2	Zoran Tanasić	SRB	25	20	17	14	<b>76</b>
3	Rauno Pärnits	EST	25	9	2	25	<b>61</b>
4	Nikola Živanović	SRB	13	13	15	17	<b>58</b>
5	Anurag Sahay	IND	25	10	8	12	<b>55</b>
6	Milovan Kovačević	SRB	14	20	11	9	<b>54</b>
7	Čedomir Milanović	SRB	11	14	13	15	<b>53</b>
8	Gerhard Richter	GER	25	2	14	6	<b>47</b>
9	Taro Arimatsu	JPN	0	15	25	2	<b>42</b>
10	Hugo van Rooijen	NED	5	12	12	12	<b>41</b>
11	Štefan Gyürki	SVK	8	11	7	8	<b>34</b>
12	Jovan Novaković	SRB	8	3	7	13	<b>31</b>
13	Björn Rösel	GER	6	6	9	10	<b>31</b>
14	Harmeet Singh	IND	9	7	4	5	<b>25</b>
15	Zafer Huseyin Ergan	TUR	10	8	3	4	<b>25</b>
16	Mihajlo Džudžar	SRB	5	5	11	3	<b>24</b>
17	Petar Parlić	MKD	3	4	5	7	<b>19</b>

## Kvizovka

			words	cross	score	points
1	Zoran Tanasić	SRB	51	72	123	25
2	Rauno Pärnits	EST	50	73	123	25
3	Anurag Sahay	IND	51	72	123	25
4	Gerhard Richter	GER	50	73	123	25
5	Milovan Kovačević	SRB	46	75	121	14
6	Nikola Živanović	SRB	50	70	120	13
7	Tomoaki Tokunaga	JPN	49	68	117	12
8	Čedomir Milanović	SRB	48	67	115	11
9	Zafer Huseyin Ergan	TUR	45	62	107	10
10	Harmeet Singh	IND	44	62	106	9
11	Štefan Gyürki	SVK	42	52	94	8
12	Jovan Novaković	SRB	38	56	94	8
13	Björn Rösel	GER	40	53	93	6
14	Hugo van Rooijen	NED	41	50	91	5
15	Mihajlo Džudžar	SRB	42	49	91	5
16	Petar Parlić	MKD	32	34	66	3
17	Taro Arimatsu	JPN	0	0	0	0

# Masyu

			circles	segm	score	points
1	Tomoaki Tokunaga	JPN	141	47	6627	25
2	Zoran Tanasić	SRB	133	45	5985	20
3	Milovan Kovačević	SRB	133	45	5985	20
4	Taro Arimatsu	JPN	132	44	5808	15
5	Čedomir Milanović	SRB	133	43	5719	14
6	Nikola Živanović	SRB	133	42	5586	13
7	Hugo van Rooijen	NED	127	43	5461	12
8	Štefan Gyürki	SVK	111	49	5439	11
9	Anurag Sahay	IND	106	44	4664	10
10	Rauno Pärnits	EST	121	38	4598	9
11	Zafer Huseyin Ergan	TUR	111	40	4440	8
12	Harmeet Singh	IND	92	46	4232	7
13	Björn Rösel	GER	60	60	3600	6
14	Mihajlo Džudžar	SRB	64	51	3264	5
15	Petar Parlić	MKD	63	50	3150	4
16	Jovan Novaković	SRB	59	45	2655	3
17	Gerhard Richter	GER	68	13	884	2

## 4 consecutive touching pentominoes

			points	no.	score	points
1	Taro Arimatsu	JPN	45	57	2565	25
2	Tomoaki Tokunaga	JPN	47	54	2538	20
3	Zoran Tanasić	SRB	45	55	2475	17
4	Nikola Živanović	SRB	45	54	2430	15
5	Gerhard Richter	GER	43	56	2408	14
6	Čedomir Milanović	SRB	44	54	2376	13
7	Hugo van Rooijen	NED	44	53	2332	12
8	Milovan Kovačević	SRB	41	55	2255	11
9	Mihajlo Džudžar	SRB	41	55	2255	11
10	Björn Rösel	GER	42	53	2226	9
11	Anurag Sahay	IND	41	54	2214	8
12	Štefan Gyürki	SVK	40	53	2120	7
13	Jovan Novaković	SRB	40	53	2120	7
14	Petar Parlić	MKD	38	53	2014	5
15	Harmeet Singh	IND	35	55	1925	4
16	Zafer Huseyin Ergan	TUR	37	52	1924	3
17	Rauno Pärnits	EST	22	57	1254	2

## The Link

			1-2	2-3	1-3	score	points
1	Rauno Pärnits	EST	45	3	69	162	25
2	Tomoaki Tokunaga	JPN	48	0	16	112	20
3	Nikola Živanović	SRB	40	2	22	104	17
4	Čedomir Milanović	SRB	40	3	20	103	15
5	Zoran Tanasić	SRB	37	1	18	93	14
6	Jovan Novaković	SRB	34	5	10	83	13
7	Hugo van Rooijen	NED	33	2	14	82	12
8	Anurag Sahay	IND	33	0	16	82	12
9	Björn Rösel	GER	19	3	38	79	10
10	Milovan Kovačević	SRB	31	0	15	77	9
11	Štefan Gyürki	SVK	22	2	17	63	8
12	Petar Parlić	MKD	16	3	21	56	7
13	Gerhard Richter	GER	15	2	18	50	6
14	Harmeet Singh	IND	18	0	10	46	5
15	Zafer Huseyin Ergan	TUR	14	3	9	40	4
16	Mihajlo Džudžar	SRB	12	3	11	38	3
17	Taro Arimatsu	JPN	0	0	0	0	2



123 – Rauno Pärnits, Estonia



123 - Gerhard Richter, Germany

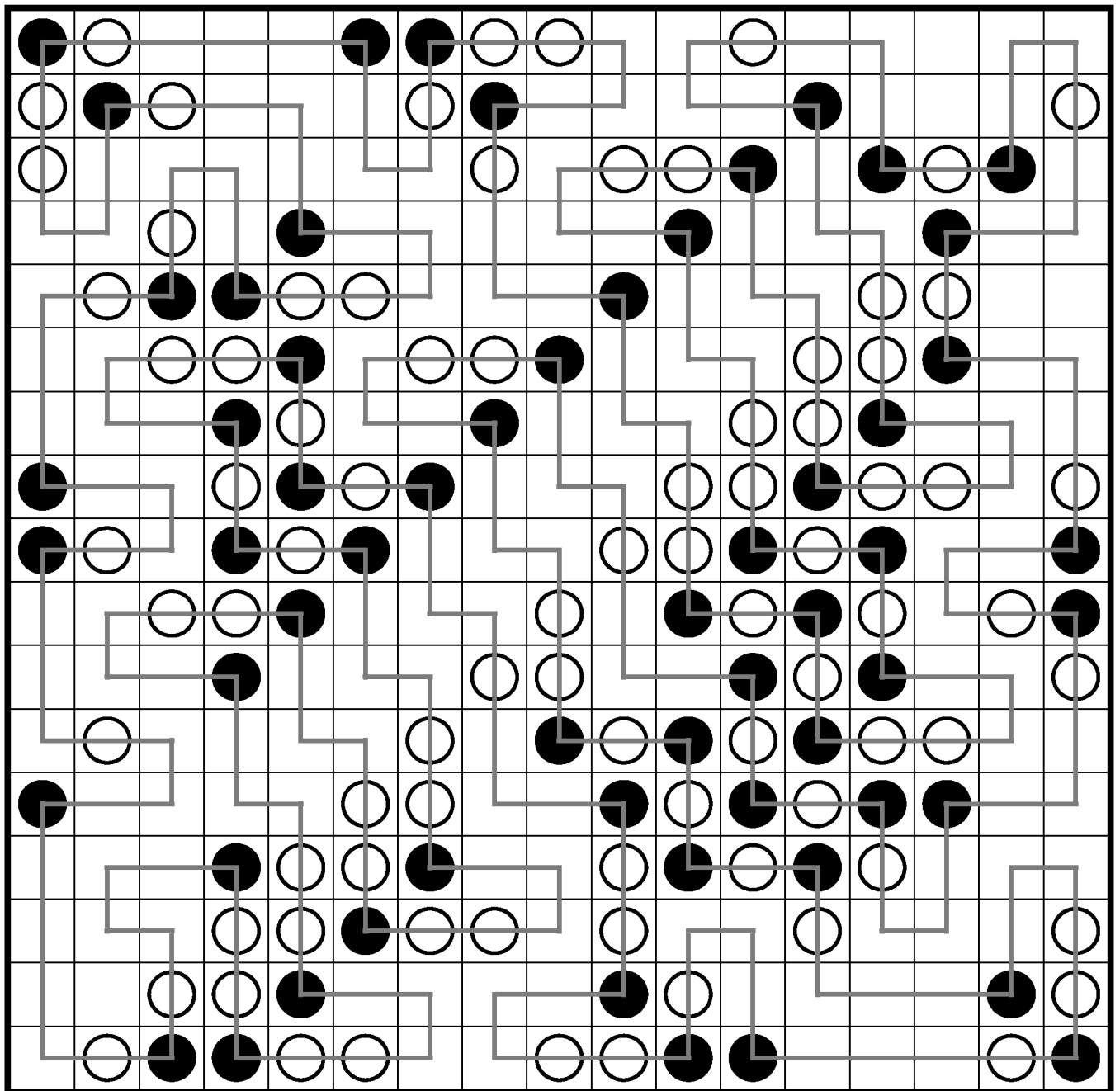
		A	G		C			P	I	L	L	O	W				
		N	R	B	A			C	P	U	U	S	A	G	E		
		N	I	U	L			S	A	V	V	Y				S	
	P	U	Z	Z	L	E			V	V					F	T	
	J	A	Z	Z			T	A	X	I	I	N	G		O	I	
B	U	L	L				C	O	P	P	E	R			P	L	L
U			Y			P	U	P	P	Y		U		C	E	L	L
F	F			S	U	P	P	L	Y		S	U	N	N	Y		
F	I		C	O	M	P	L	E	X	X				N			
E	X	X	O	N		L	A		O	F	F			T	Y	P	P
T	X		N		C	A	Y	E	N	N	E					I	U
			T			T	E		I	N	N			F	U	L	L
A		Z	I	P	P	E	R			I	N	S	T	A	L	L	
N	U	N	N					W	A	V	E	O	F	F			L
N		B	U	N	N			I	L		L	I	T	T	L	E	
E		P	U	T	T			I	L	L			C	L	I	F	F
X			M		Z	I	L	L					W	A	T	T	

123 – Zoran Tanasic, Serbia

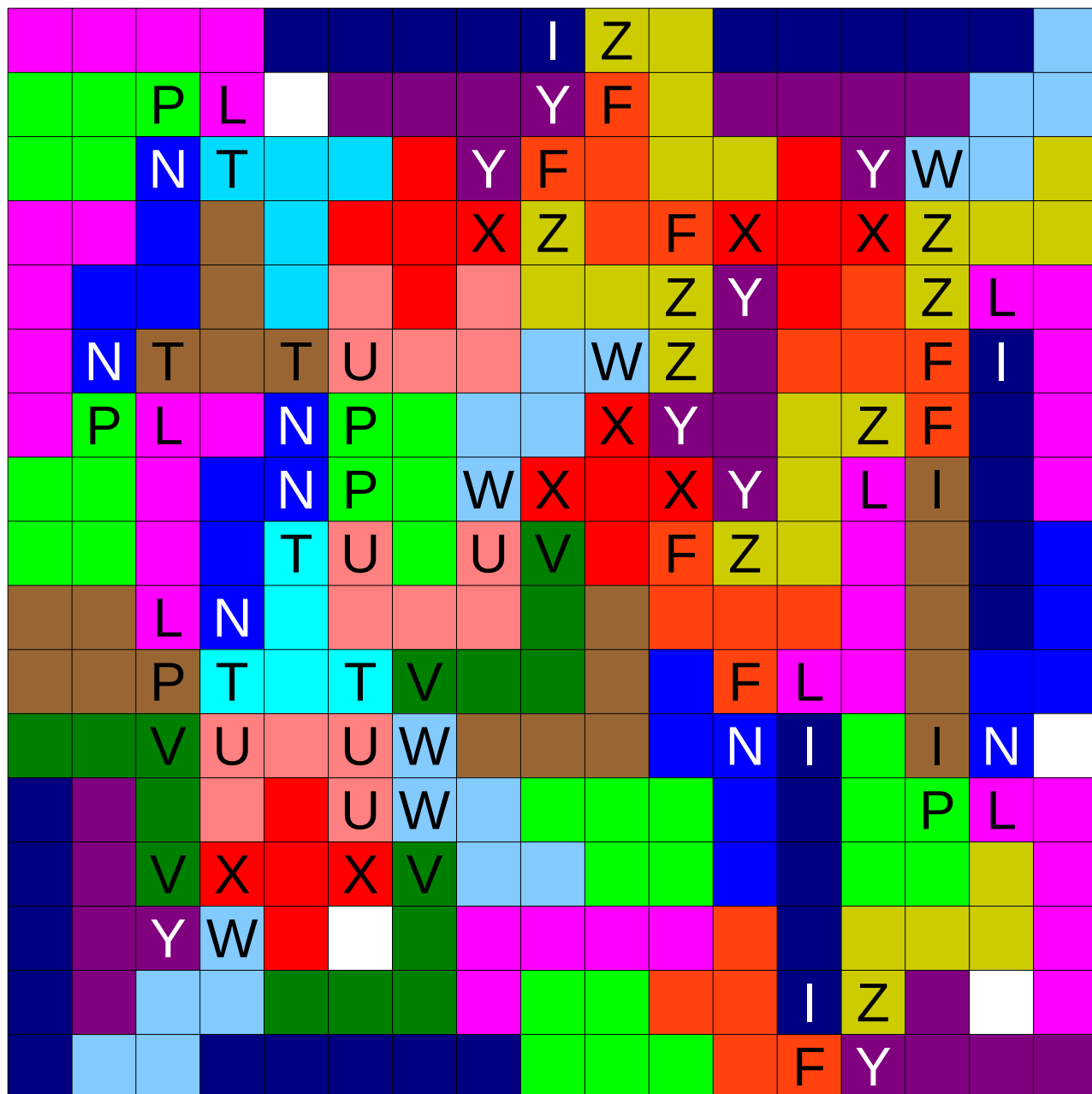


			W	A	V	E	O	F	F		C		W	I			
			L					E	S		U		I	L			
I	N	S	T	A	L	L		H	N	U		B	U	L	L		
	B	U	T	T	O	N		C	A	N	N	I	B	A	L		
C		F		T	W		F		P	E	N	N	Y		O	S	
O	F	F		I		S	U	P	P	L	Y		Y		W	H	
P		I		C	A	L	L		Y				E		W	U	
P	L	X	S		P	I	L	L		N	O	W	W	H	A	T	
E	U		T	Y	P	P		I	N	N		A			R	T	
R	V	F	I		L	P		T				T			E	L	
	V	O	L	L	E	Y		T	W	I	T	T	E	R		E	
Z	I	L	L					C	L	I	F	F		X		A	
A	E	L						C	E	L	L			X		F	A
X		Y	U	P	P	I	E		L		J		O	N	F	L	
X				P	U	P	P	Y			A	N	N	U	A	L	
O		F	L	A	T	T	V		B	U	Z	Z		N	I		
N			I	N	T	E	R	M	E	Z	Z	O		N	R		

123 – Anurag Sahay, India

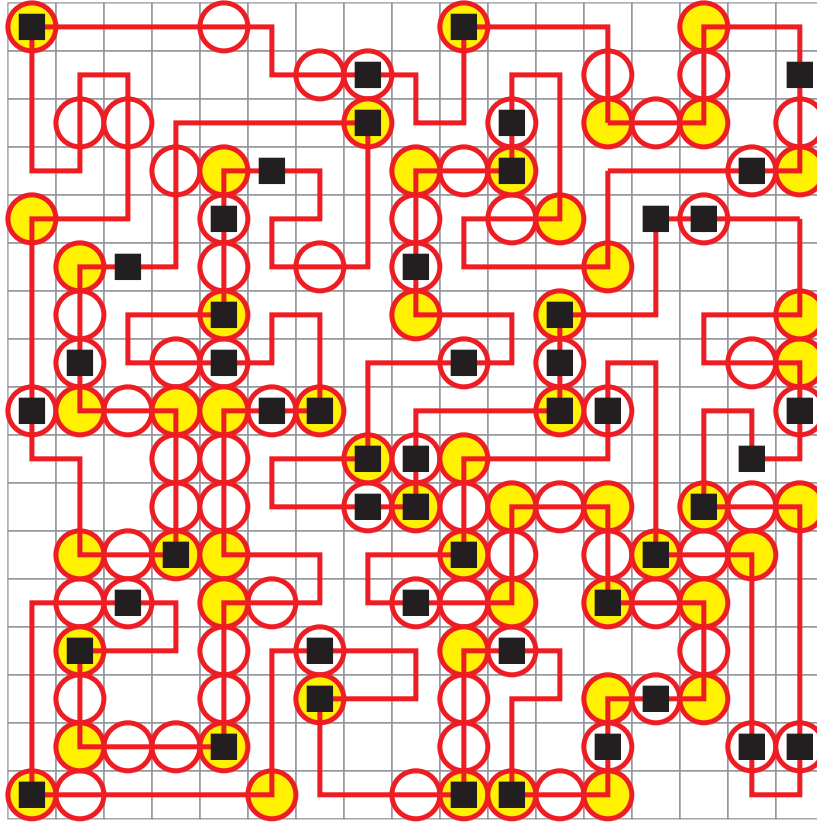


6627 - Tomoaki Tokunaga, Japan

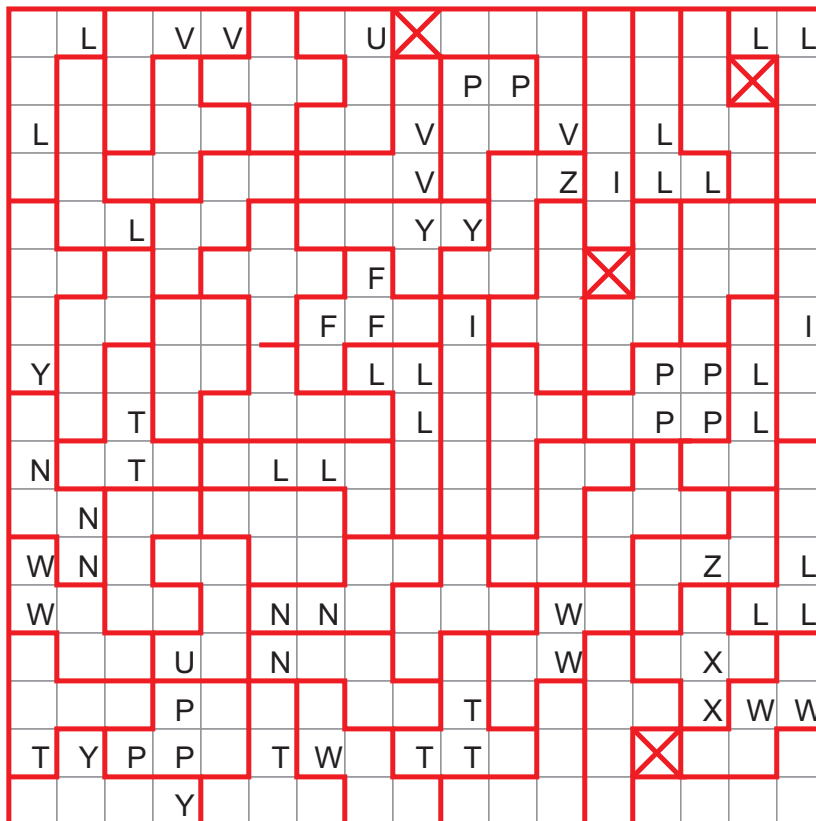


2565 – Taro Arimatsu, Japan

# 162 - Rauno Pärnits, Estonia



points 45x2=90



points 69