

	Name	Country	Puzzle 1	Puzzle 2	Puzzle 3	Total	Puzzle 4	Puzzle 5	Puzzle 6	Total
1.	Zoran Tanasić	SRB	25	25	21	71				
2.	Branko Čeranić	SRB	25	25	18	68				
3.	Milovan Kovačević	SRB	25	25	16	66				
4.	James McGowan	NZE	25	25	14	64				
5.	Danijel Milošević	SRB	21	21	11	53				
6.	Davor Gavranović	SRB	25	18	7	50				
7.	Rauno Pärnits	EST	14	10	25	49				
8.	Urmās Raude	EST	25	6	16	47				
9.	Nenad Savić	SRB	25	11	10	46				
10.	Rainer Biegler	GER	12	21	12	45				
11.	Jens Mesarosch	GER	25	12	5	42				
12.	Zafer Hüseyin Ergan	TUR	25	8	9	42				
13.	Rade Goljović	SRB	18	21	2	41				
14.	Anthea McMillan	GBR	25	14	-	39				
15.	Čedomir Milanović	SRB	12	18	4	34				
16.	Dragan Stojanović	SRB	16	16	2	34				
17.	Gülçin Sabancı	TUR	21	3	8	32				
18.	Gerhard Richter	GER	12	9	8	29				
19.	Đorđe Stakić	SRB	25			25				
20.	Ravi Kumar Macherla	IND	10	5	6	21				
21.	Mihajlo Džudžar	SRB	16	4	-	20				
22.	Jovan Novaković	SRB	9	2	8	19				
23.	Maurizio Corti	ITA	8	7	1	16				
24.	Björn Rösel	GER	11	1	3	15				
25.	Ken Wilshire	GBR	7	-	-	7				

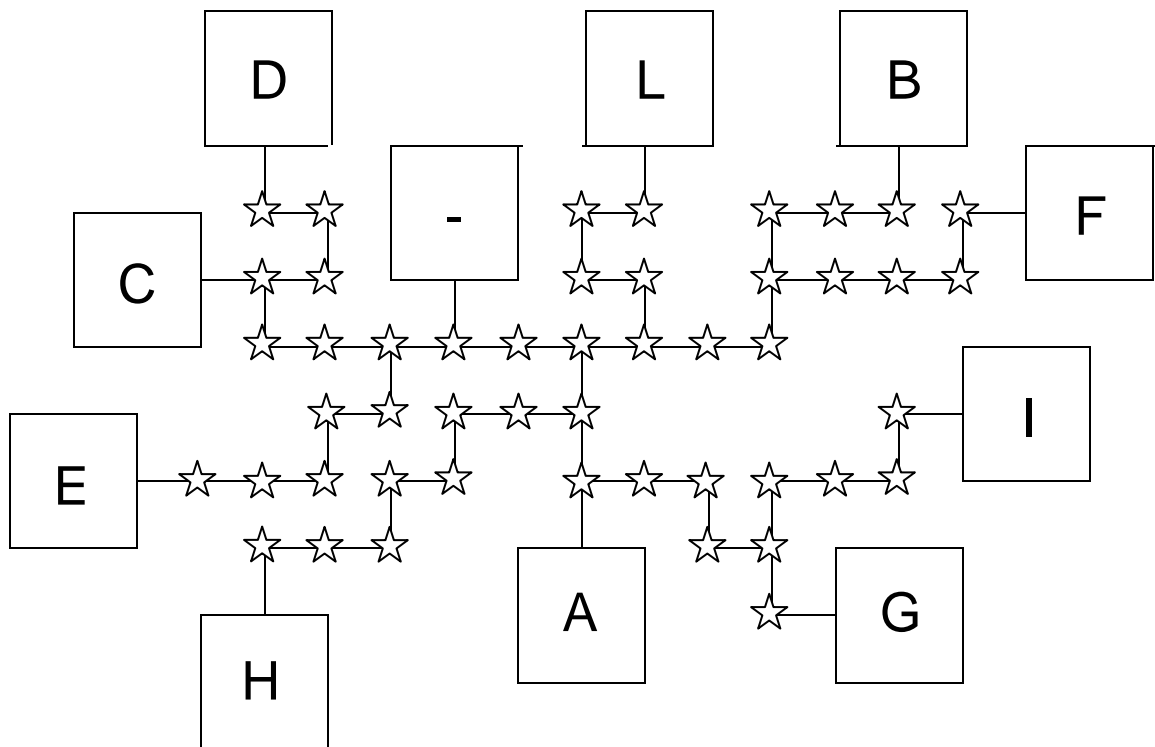
Puzzle 1 - CONSTELLATIONS			
Name	Country	Result	Points
Milovan Kovačević	SRB	147	25
Nenad Savić	SRB	147	25
Branko Čeranić	SRB	147	25
Davor Gavranović	SRB	147	25
Urmaz Raude	EST	147	25
James McGowan	NZE	147	25
Zafer Hüseyin Ergan	TUR	147	25
Jens Mesarosch	GER	147	25
Zoran Tanasić	SRB	147	25
Anthea McMillan	GBR	147	25
Đorđe Stakić	SRB	147	25
Danijel Milošević	SRB	145	21
Gülçin Sabancı	TUR	145	21
Rade Goljović	SRB	144	18
Mihajlo Džudžar	SRB	143	16
Dragan Stojanović	SRB	143	16
Rauno Pärnits	EST	142	14
Gerhard Richter	GER	141	12
Rainer Biegler	GER	141	12
Čedomir Milanović	SRB	141	12
Björn Rösel	GER	139	11
Ravi Kumar Macherla	IND	136	10
Jovan Novaković	SRB	133	9
Maurizio Corti	ITA	131	8
Ken Wilshire	GBR	104	7

Puzzle 2 - PENTOMINO XTV			
Name	Country	Result	Points
Branko Čeranić	SRB	4714	25
Zoran Tanasić	SRB	4714	25
Milovan Kovačević	SRB	4714	25
James McGowan	NZE	4714	25
Danijel Milošević	SRB	4702	21
Rade Goljović	SRB	4702	21
Rainer Biegler	GER	4702	21
Davor Gavranović	SRB	4687	18
Čedomir Milanović	SRB	4687	18
Dragan Stojanović	SRB	4652	16
Anthea McMillan	GBR	4592	14
Jens Mesarosch	GER	4586	12
Nenad Savić	SRB	4554	11
Rauno Pärnits	EST	4546	10
Gerhard Richter	GER	4498	9
Zafer Hüseyin Ergan	TUR	4467	8
Maurizio Corti	ITA	4428	7
Urmaz Raude	EST	4398	6
Ravi Kumar Macherla	IND	4249	5
Mihajlo Džudžar	SRB	4217	4
Gülçin Sabancı	TUR	4110	3
Jovan Novaković	SRB	4088	2
Björn Rösel	GER	3778	1
Ken Wilshire	GBR	3467	-

Puzzle 3 - DOPPELBLOCK			
Name	Country	Result	Points
Rauno Pärnits	EST	221	25
Zoran Tanasić	SRB	220	21
Branko Čeranić	SRB	218	18
Milovan Kovačević	SRB	217	16
Urmaz Raude	EST	217	16
James McGowan	NZE	213	14
Rainer Biegler	GER	211	12
Danijel Milošević	SRB	205	11
Nenad Savić	SRB	204	10
Zafer Hüseyin Ergan	TUR	203	9
Gerhard Richter	GER	202	8
Jovan Novaković	SRB	202	8
Gülçin Sabancı	TUR	202	8
Davor Gavranović	SRB	199	7
Ravi Kumar Macherla	IND	194	6
Jens Mesarosch	GER	192	5
Čedomir Milanović	SRB	190	4
Björn Rösel	GER	189	3
Rade Goljović	SRB	182	2
Dragan Stojanović	SRB	182	2
Maurizio Corti	ITA	180	1
Anthea McMillan	GBR	170	-
Mihajlo Džudžar	SRB	143	-
Ken Wilshire	GBR	62	-

# SOME OF THE BEST SOLUTIONS

Nenad Savić – SRB  
147



James McGowan - NZE  
4714

1	2	3	F	1	1	2	3	1	Z	1	2	3	1	I	3	6	V9	V2	V1
N	F	F	F	L	U	U	Z	Z	Z	Y	Y	Y	Y	I	0	0	V0	0	0
N	2	F	3	L	U	2	Z	3	1	W	2	Y	3	I	0	T6	V0	X9	1
N	N	1	2	L	U	U	2	P	P	W	W	1	2	I	0	T0	X4	X4	X0
3	N	1	L	L	3	1	P	P	P	3	W	W	1	I	T9	T1	T1	X1	0

# Rauno Parnits – EST 221

	12	15	17	3	9	0	18	19
13	5	1		4	3	6		2
20	1		3	6	2	5	4	
0	3	4	6			2	5	1
16		6	2	3	5		1	4
4	2	5	1		4		6	3
6	4		5	1		3	2	6
7	6	3		2	1	4		5
21		2	4	5	6	1	3	